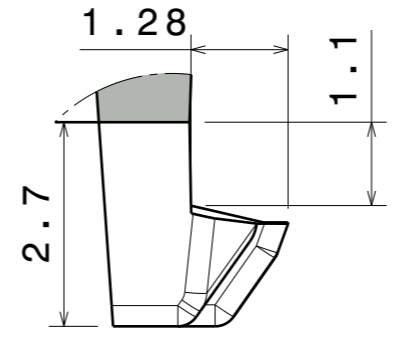
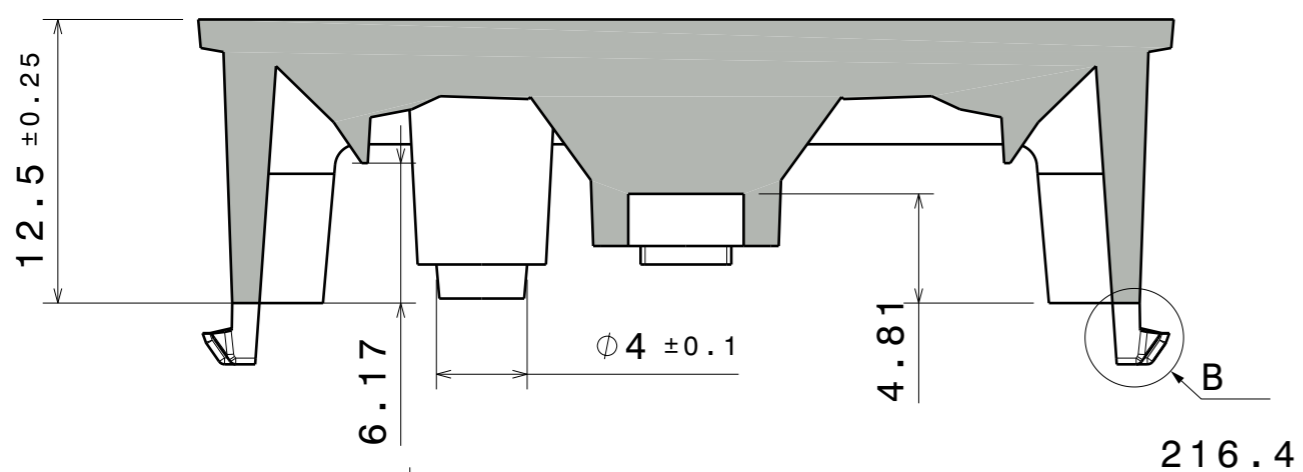
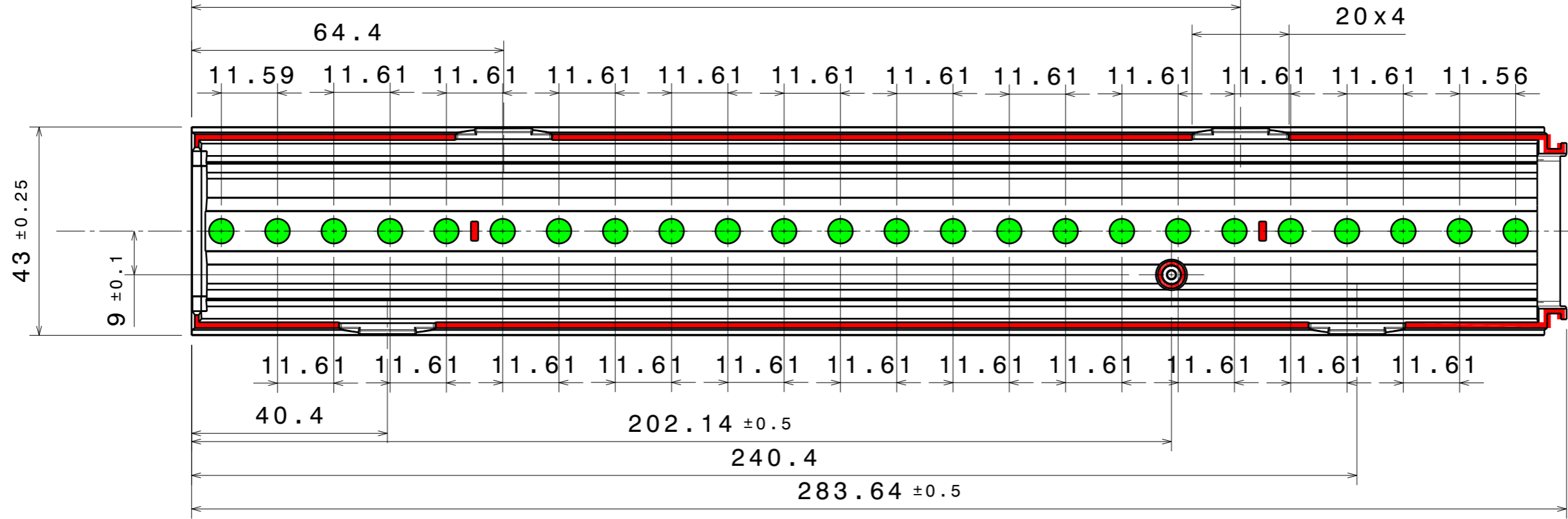
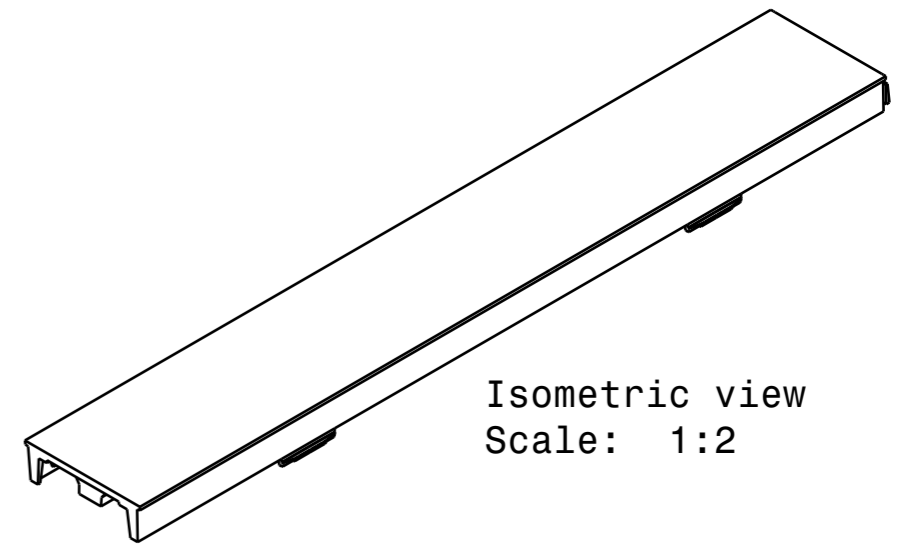


Section view A-A
Scale: 3:1



Detail B
Scale: 10:1



PART	TYPE	MATERIAL	COLOR / COATING
C17164_LINNEA-GC2-110	LENS	PMMA	CLEAR

MECHANICAL DRAWING	
PRODUCT	LINNEA-G2
Plastic moulding general tolerances according to DIN 16901-130 and applies if not otherwise shown in the drawing. Silicone moulding general tolerances according to ISO 3302-1 Class M3 and applies if not otherwise shown in the drawing.	FIRST ANGLE PROJECTION:
SCALE 1:1	WEIGHT 65,524g

LEDiL®

This drawing is the property of LEDiL Oy. It may not be copied or otherwise distributed without prior written permission from LEDiL Oy.

A3 SHEET 1/2

- Notes**
- PCB or heatsink level.
 - LED location
 - Ensure LED fitting from a product specific 3D model available from www.ledil.com
 - For more details about installation please see LEDiL Installation Guide on www.ledil.com

4

3

2

1

4

3

2

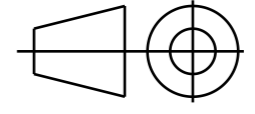
1

Reference PCB

C17164 LINNEA-GC2-110

Light pattern direction

PART	TYPE	MATERIAL	COLOR / COATING
C17164 LINNEA-GC2-110	LENS	PMMA	CLEAR

MECHANICAL DRAWING		LEDiL[®]
PRODUCT LINNEA-G2		
Plastic moulding general tolerances according to DIN 16901-130 and applies if not otherwise shown in the drawing. Silicone moulding general tolerances according to ISO 3302-1 Class M3 and applies if not otherwise shown in the drawing.	FIRST ANGLE PROJECTION: 	This drawing is the property of LEDiL Oy. It may not be copied or otherwise distributed without prior written permission from LEDiL Oy.
SCALE 1:1	WEIGHT 65,524g	A3 SHEET 2/2

Notes

- PCB or heatsink level.
- LED location
- Ensure LED fitting from a product specific 3D model available from www.ledil.com
- For more details about installation please see LEDiL Installation Guide on www.ledil.com